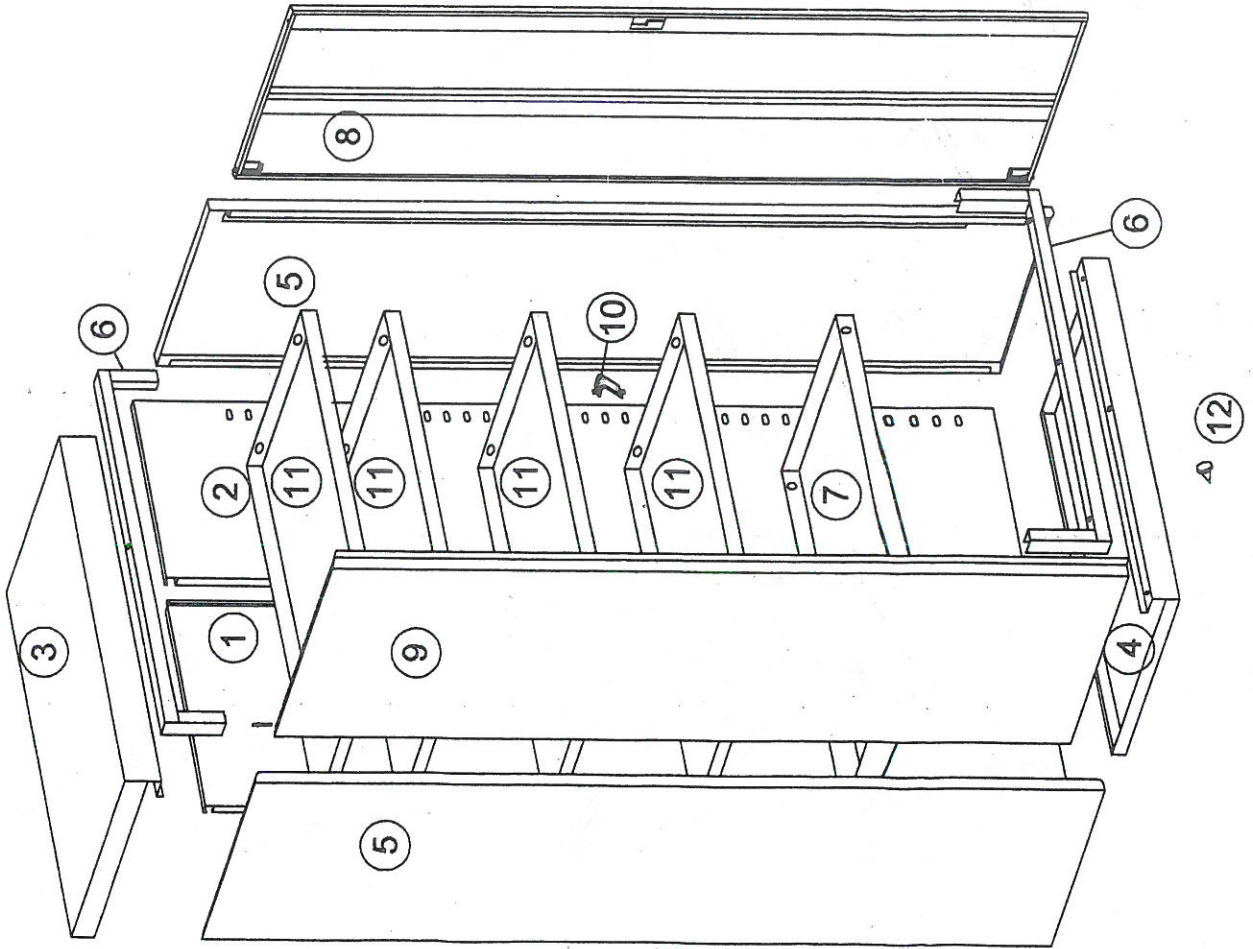
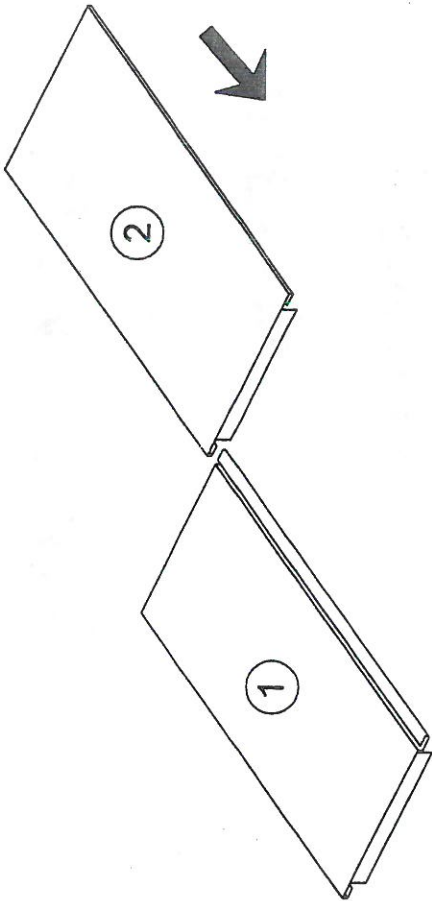


PARTS LIST & Assembly instruction CHEMICAL CABINET

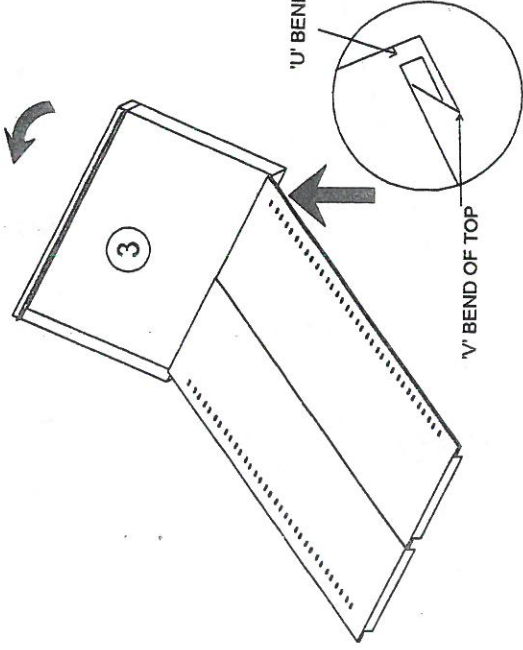
PART LIST

S No.	Component	Qty.
1.	LH BACK	01
2.	RH BACK	01
3.	TOP	01
4.	BOTTOM	01
5.	LH SIDE / RH SIDE	01/01
6.	"U" FRAM	02
7.	BOTTOM SHELF	01
8.	RH DOOR	01
9.	LH DOOR	01
10.	SHELF SUPPORTS	16
11.	SHELF	04
12.	DOOR BANGERS	02

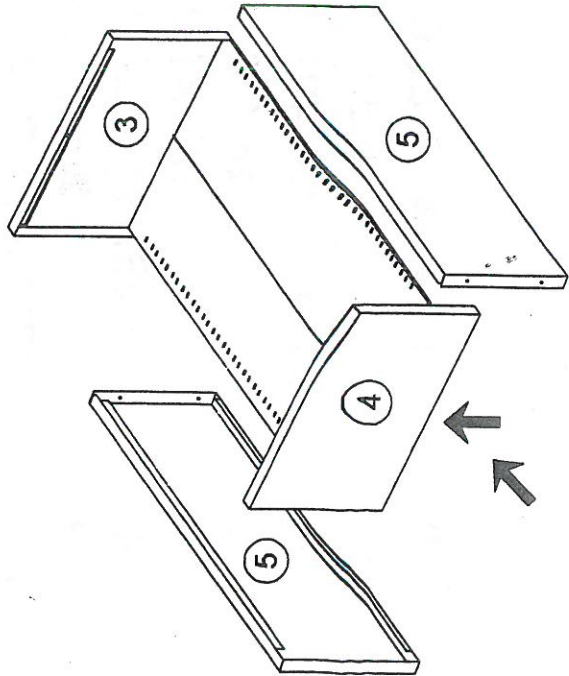
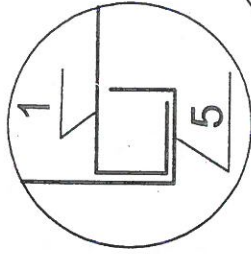




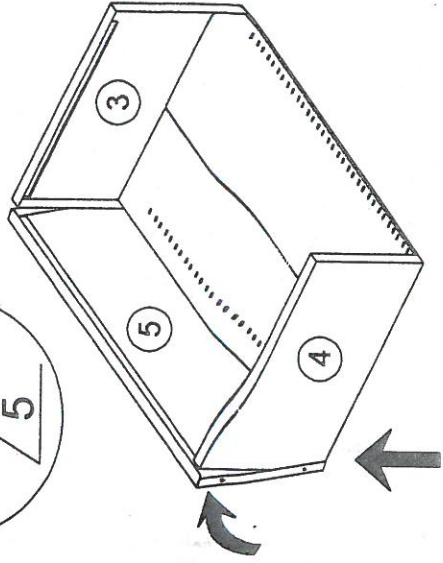
STEP-1



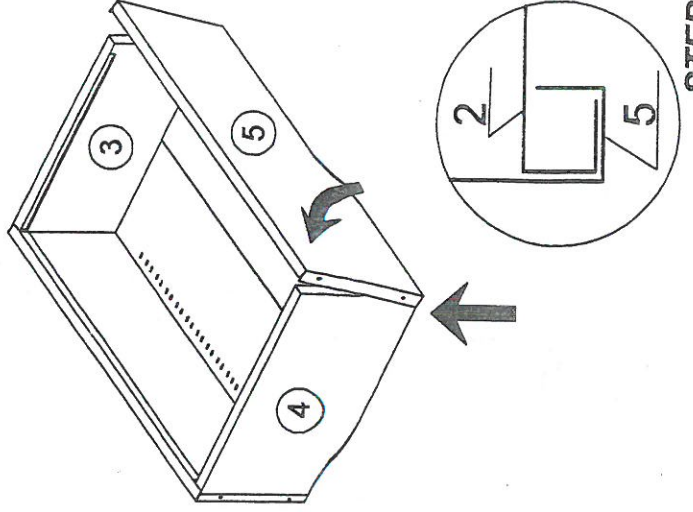
STEP-2



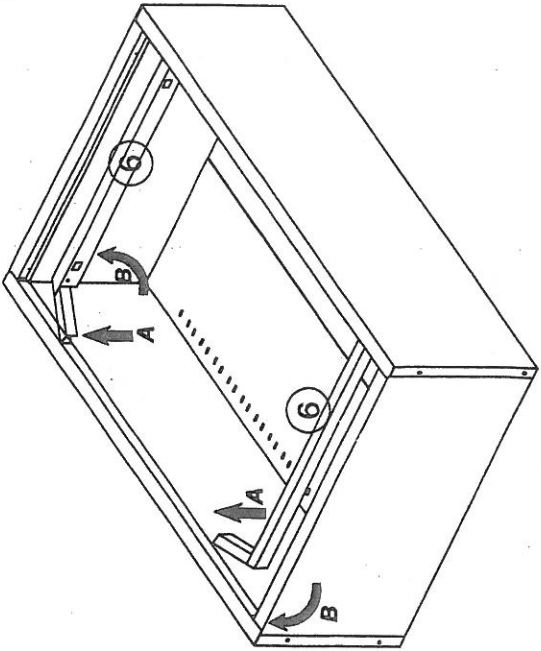
STEP-3



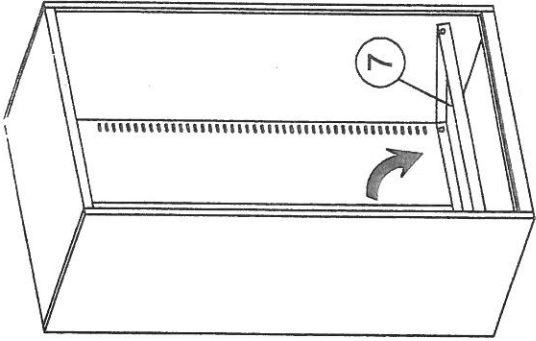
STEP-4



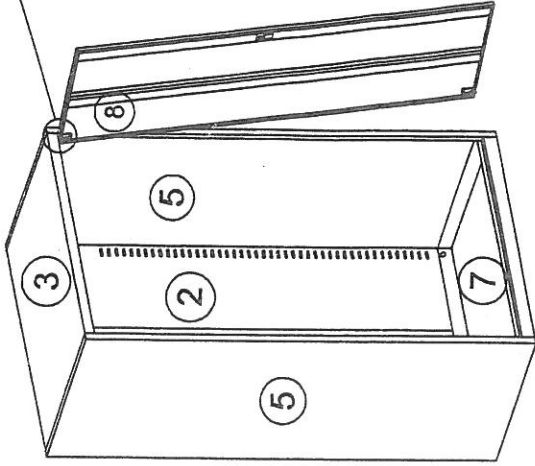
STEP-5



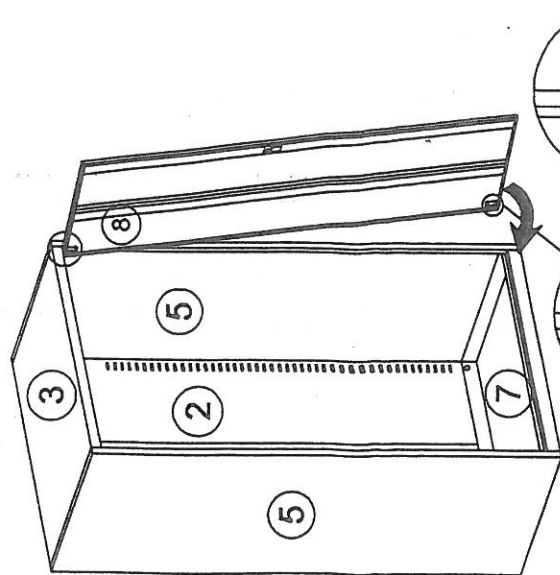
STEP-6



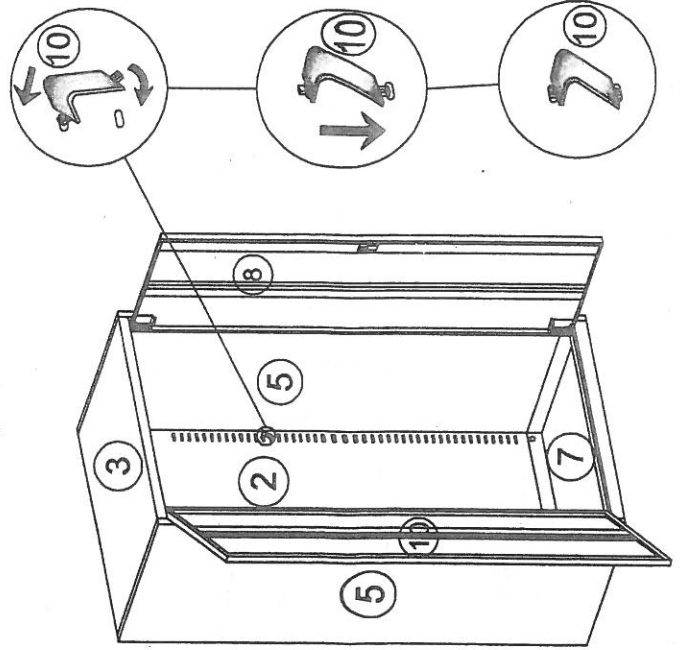
STEP-7



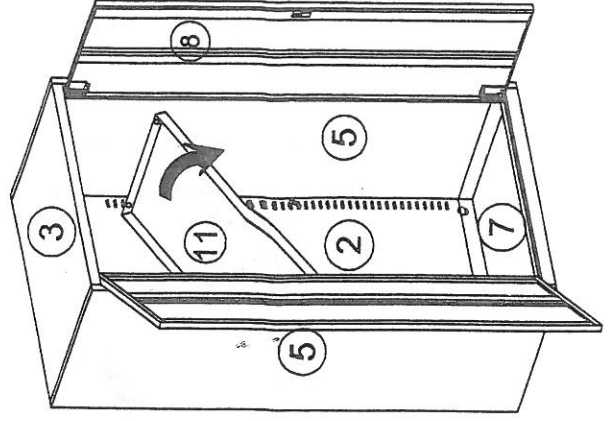
STEP-8



STEP-9



STEP-10



STEP-11

