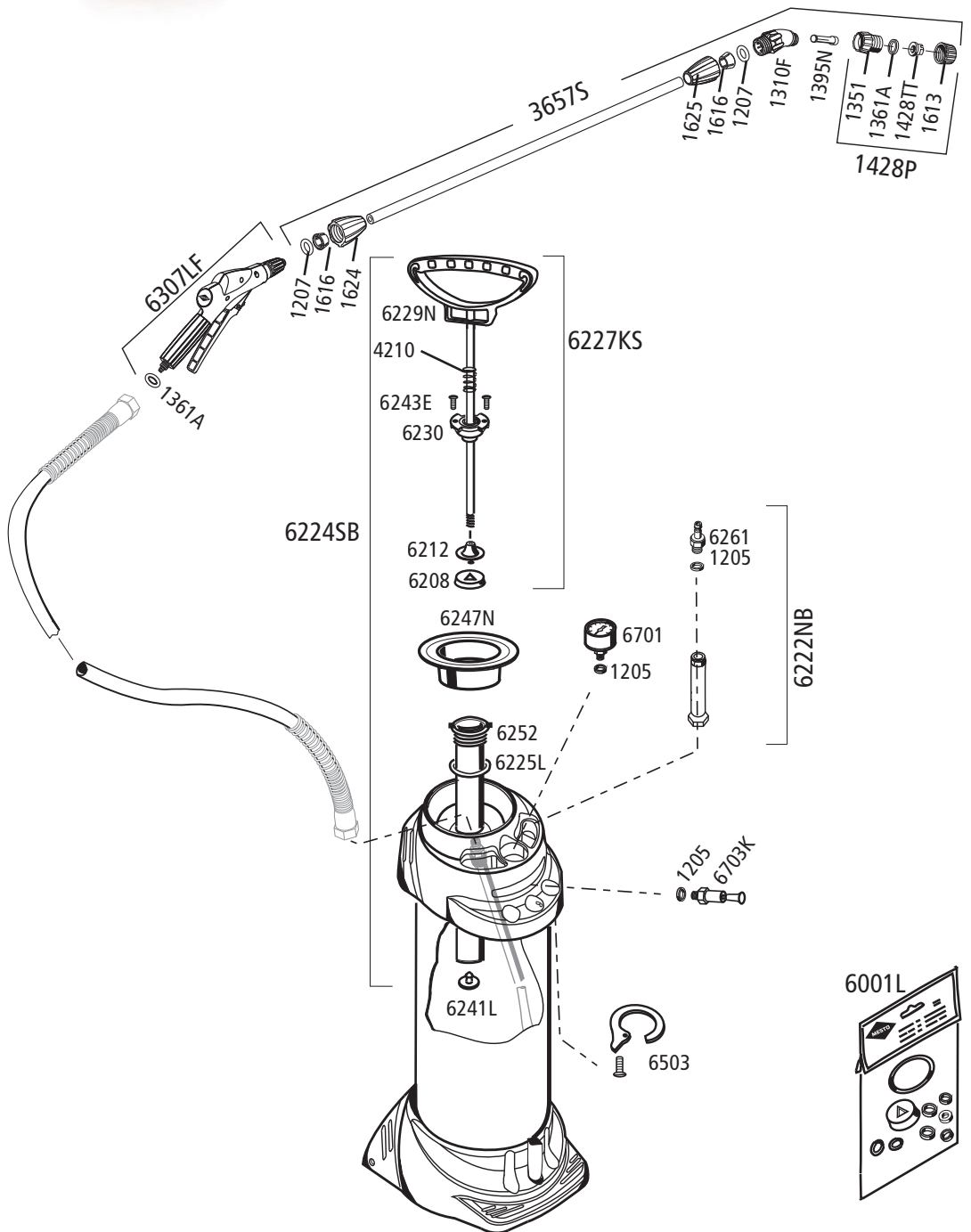
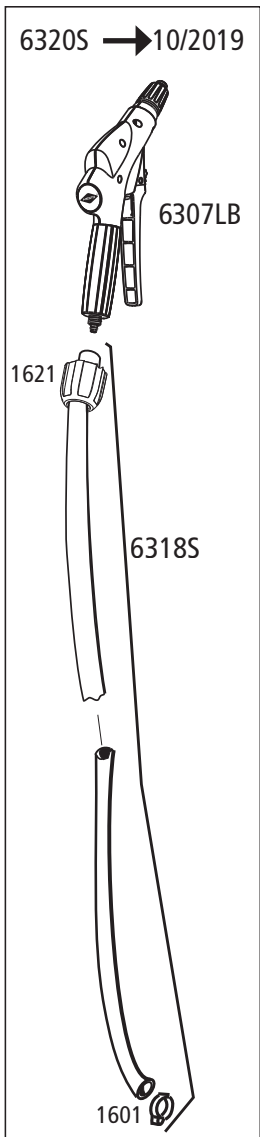
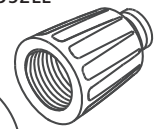


# 3615S

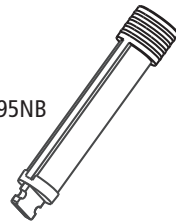




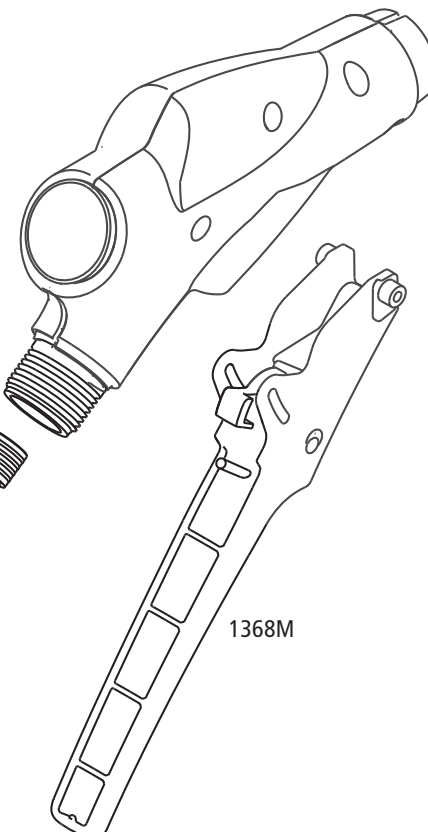
1352LL



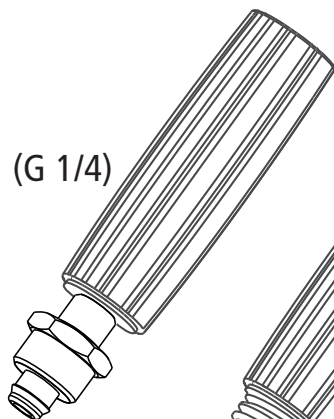
1395NB



1368M



1376LG (G 1/4)



1376LM (D10 →



1376LP (D10, oil →



1376LK (D8)

1376LS (D6, spiral)

