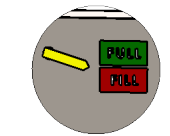
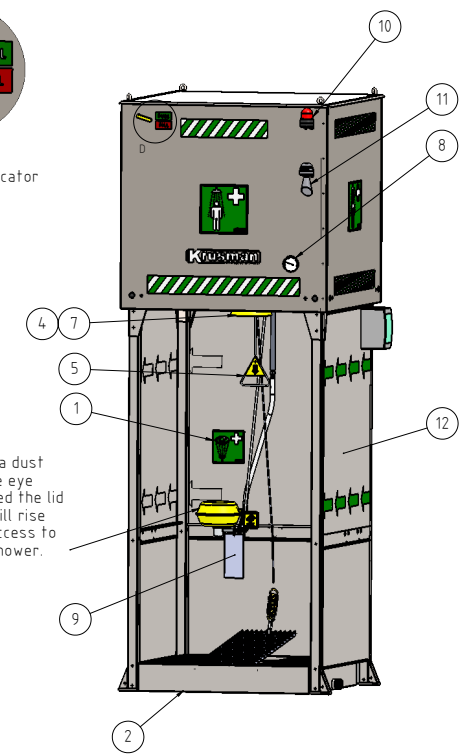


Connection point (Option):
 Power supply beacon and horn:
 230-240VAC, 50/60Hz, 10A
 Power supply heater:
 230V, 50/60Hz, 16A
 DCS signals:
 Alarm signal for Emergency shower or Eye wash activation.

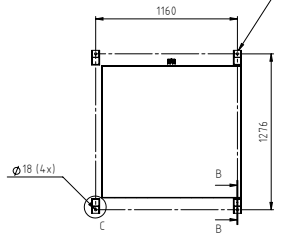
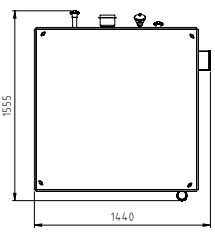
Lifting lugs (4x)
 Tank must be empty when lifting.



DETAIL D
 Water level indicator
 1: 5

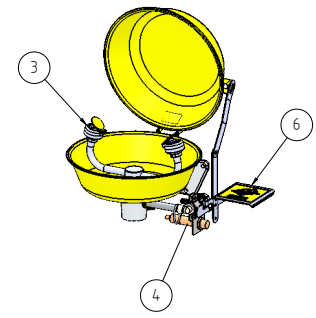


Eye wash unit protected with a dust cover. When the eye wash is activated the lid automatically will rise and give free access to the eye wash shower.



All four feet need to have good support from the foundation before fixing. If there is a gap beneath any of the feet shimming is necessary. The feet have to be firmly secured to the foundation with anchor bolts.

SECTION A-A
 Fixing point to the ground.
 The Tank shower has to be installed on a level concrete foundation or similar.



Eye wash unit with open dust cover

General information:
 Temperature controlled and insulated tank shower.
 Water volume 1400l.
 The tank shower is manufactured of SS304.
 The emergency shower is manufactured of SS316
 Flashing beacon and horn will alarm when the the emergency shower or eyewash station are activated.
 Weight tank shower empty, Basic version 285kg.
 Weight tank shower empty, with Options 400kg.

15	1	KNE052	Junction box
14	1	KNV652	PT 100 temperature sensor, Option
13	1	KNV609	Heating element, 3kW, Option
12	1	KNV603	Side panels, Option
11	1	HORN STANDARD	Siren 98 dB, IP65, 230V, Option
10	1	KNV687	Flashing beacon, Option
9	1	KND549	Control card
8	1	KNV030	Thermometer
7	1	KND530	Shower head 240mm, stainless steel
6	1	KND515-00	Ball valve DN15 with push plate
5	1	KND532	Pull rod, stainless steel
4	2	KNV686	Inductive sensors, Option
3	2	KND505	Spray head eyewash
2	1	7020-19 FOOT	Latchment basin with foot activation, Option
1	1	KND545	Emergency sign, eye wash
PosQty		Order number	Description
		MM	DK
		2019-03-28	1:20
		Tank shower 7021	
		Stainless steel 304, 1400L	
		Installation drawing	
		Drawing No. R7011 Rev: 2 Date: 2019-03-28 Scale: 1 (1)	

2	Product updated	2019-03-27	MM
Rev	Description	Date	Sign.